

PLEASE CHECK WWW.MOLEX.COM FOR LATEST PART INFORMATION

Part Number: [0473932001](#)
Status: **Active**
Overview: [pogo_pins](#)
Description: 4.00mm (.157") Pitch Po-Go Pin Connector, Vertical, SMT, 1.02µm (40µ") Gold (Au) Plating over Nickel, 2 Circuits

Documents:

[3D Model](#) [Product Specification PS-47393-201 \(PDF\)](#)
[Drawing \(PDF\)](#) [RoHS Certificate of Compliance \(PDF\)](#)

General

| | |
|----------------|------------------------------------------------|
| Product Family | PCB Headers |
| Series | 47393 |
| Application | Board-to-Board |
| Comments | Action Heights: 3.18mm (.125"), 3.43mm (.135") |
| Overview | pogo_pins |
| Product Name | PoGo Pin |

Physical

| | |
|--------------------------------|-----------------------|
| Breakaway | No |
| Circuits (Loaded) | 2 |
| Circuits (maximum) | 2 |
| Durability (mating cycles max) | 10,000 |
| First Mate / Last Break | No |
| Glow-Wire Compliant | No |
| Guide to Mating Part | No |
| Keying to Mating Part | None |
| Lock to Mating Part | None |
| Material - Plating Mating | Gold |
| Material - Plating Termination | Nickel |
| Number of Rows | 1 |
| Orientation | Vertical |
| PC Tail Length (in) | 0.020 In |
| PC Tail Length (mm) | 0.50 mm |
| PCB Locator | No |
| PCB Retention | Yes |
| Packaging Type | Embossed Tape on Reel |
| Pitch - Mating Interface (in) | 0.157 In |
| Pitch - Mating Interface (mm) | 4.00 mm |
| Pitch - Term. Interface (in) | 0.157 In |
| Pitch - Term. Interface (mm) | 4.00 mm |
| Polarized to Mating Part | No |
| Polarized to PCB | No |
| Shrouded | No |
| Stackable | No |
| Surface Mount Compatible (SMC) | No |
| Temperature Range - Operating | -40°C to +85°C |
| Termination Interface: Style | Through Hole |

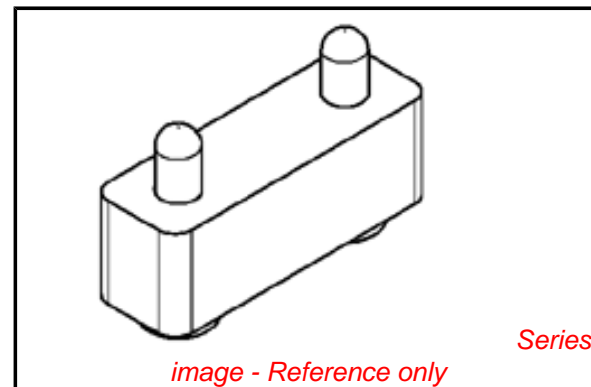
Electrical

| | |
|-------------------------------|--------|
| Current - Maximum per Contact | 2A |
| Voltage - Maximum | 60V DC |

Material Info

Reference - Drawing Numbers

| | |
|-------------------------|--------------|
| Packaging Specification | PK-47393-201 |
|-------------------------|--------------|



EU RoHS

RoHS Compliant by Exemption

REACH SVHC

Not Reviewed

Halogen-Free

Status

Not Halogen-Free

China RoHS



Pb

Need more information on product environmental compliance?

Email productcompliance@molex.com
 For a multiple part number RoHS Certificate of Compliance, [click here](#)

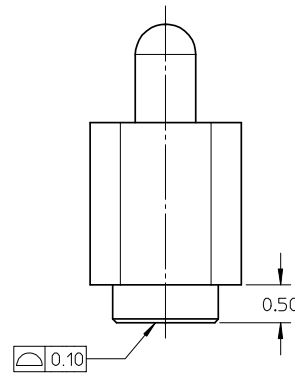
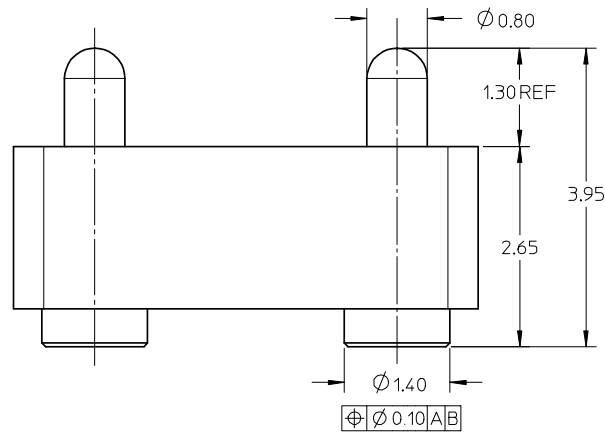
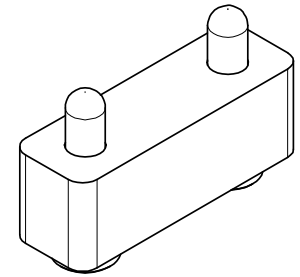
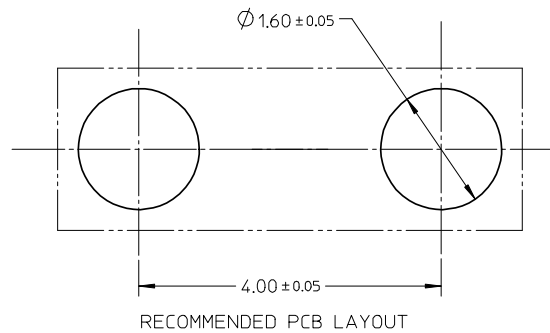
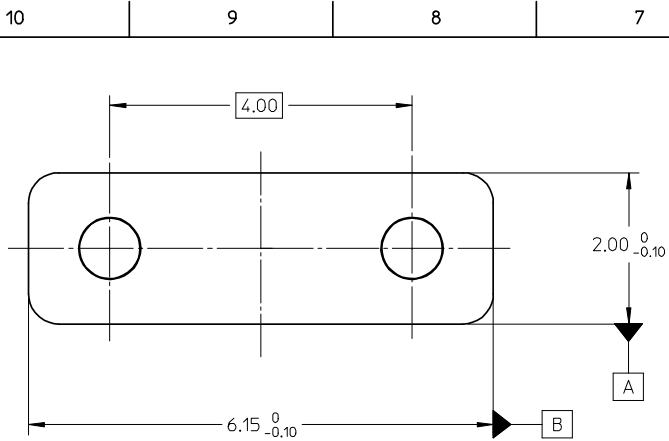
Please visit the [Contact Us](#) section for any non-product compliance questions.

Search Parts in this Series

[47393Series](#)

This document was generated on 05/26/2010

PLEASE CHECK WWW.MOLEX.COM FOR LATEST PART INFORMATION



NOTES:

1 MATERIAL:

- 1-1 PIN : COPPER ALLOY
- 1-2 SOLDER PAD : COPPER ALLOY
- 1-3 SPRING : SWP-B
- 1-4 HOUSING : NYLON 46 UL 94V-0, BLACK

2 FINISH:

- 2-1 CONTACT PIN : OVERALL 40μ MIN. GOLD OVER 120 ~200μ. NICKEL
- 2-2 SOLDER PAD : BOTH INNER AND OUTER SHOULD BE 6~16μ GOLD OVER 50~250μ NICKEL

3 MECHANICAL SPECIFICATION:

- 3-1 CONTACT FORCE AT WORKING HEIGHT OF 3.18mm (PER CONTACT) : 1.0 N MIN, CONTACT FORCE AT WORKING HEIGHT OF 3.43mm (PER CONTACT) : 0.55 N MIN
- ▽ CONTACT FORCE AT MIN HEIGHT OF 2.95mm (PER CONTACT) : 3.0 N MAX
- 3-2 NOMINAL WORKING HEIGHT : 3.18mm
- 3-3 MAX. STROKE IS 1.0mm
- 3-4 DURABILITY : 10,000 cycles

4 ELECTRICAL SPECIFICATION :

- 4-1 RATING VOLTAGE : 60VDC
- 4-2 RATING CURRENT : 2A MAX.
- 4-3 CONTACT RESISTANCE : 30 mOhms MAX AT NOMINAL WORKING HEIGHT

5 PRODUCT SPECIFICATION : PS-47393-201

| | | | | | | | | | | | |
|---------------------------------------------------------------------|-------------|-----------------|---------------------------------------|------------------------------------------------------------|----------------------------|---------------------|-----------------------------------------------|-------------------------------------------------------------------------------------------------------------------------------|------------------------|--|--|
| NEW PRODUCT EC NO: 2008/03/31 DRWN: JYANG13 CHKD: APPR: | DESCRIPTION | QUALITY SYMBOLS | GENERAL TOLERANCES (UNLESS SPECIFIED) | | DIMENSION STYLE MM ONLY | | SCALE 15:1 | DESIGN UNITS METRIC | THIRD ANGLE PROJECTION | | |
| | | ▽=0 ∇=0 | mm | INCH | DRAWN BY JYANG13 | DATE 2007/05/04 | TITLE ASSEMBLY 2 PIN POGO PIN CONNECTOR | | | | |
| | | | 4 PLACES ± --- ± --- | 3 PLACES ± --- ± --- | CHECKED BY XIXU | DATE 2007/05/10 | MATERIAL NO. 473932001 | | | | |
| | | | 2 PLACES ± 0.15 ± --- | 1 PLACE ± --- ± --- | APPROVED BY JNCHEN | DATE 2007/05/10 | DOCUMENT NO. SD-47393-201 | | | | |
| | | ANGULAR ± 1/2° | | DRAFT WHERE APPLICABLE MUST REMAIN WITHIN DIMENSIONS | | SHEET NO. 1 OF 1 | | THIS DRAWING CONTAINS INFORMATION THAT IS PROPRIETARY TO MOLEX INCORPORATED AND SHOULD NOT BE USED WITHOUT WRITTEN PERMISSION | | | |